



## User Manual



# C-1U

USB Studio Condenser Microphone

**EN Important Safety Instructions**

Terminals marked with this symbol carry electrical current of sufficient magnitude to constitute risk of electric shock. Use only high-quality commercially-available speaker cables with ¼" TS plugs pre-installed. All other installation or modification should be performed only by qualified personnel.



This symbol, wherever it appears, alerts you to the presence of uninsulated dangerous voltage inside the enclosure - voltage that may be sufficient to constitute a risk of shock.



This symbol, wherever it appears, alerts you to important operating and maintenance instructions in the accompanying literature. Please read the manual.



Condenser microphones are extremely moisture-sensitive. Never use your microphone in close proximity to water (e.g. bath tubs, wash basins, sinks, washing machines, pools, etc.). When doing voice recordings, always use the enclosed windscreen to protect the capsule from moisture.



Always use the power supply specified in the operating instructions.



Take care not to drop your microphone as this can lead to severe damage. BEHRINGER assumes no liability for any damage caused by the user.



After each use, wipe the microphone down with a soft cloth and place it back into its protective casing (included with the microphone). Then, lay the small bag containing the moisture-absorbing crystals on top of the microphone head.

**LIMITED WARRANTY**

For the applicable warranty terms and conditions and additional information regarding MUSIC Group's Limited Warranty, please see complete details online at [www.music-group.com/warranty](http://www.music-group.com/warranty).

**LEGAL DISCLAIMER**

TECHNICAL SPECIFICATIONS AND APPEARANCES ARE SUBJECT TO CHANGE WITHOUT NOTICE AND ACCURACY IS NOT GUARANTEED. BEHRINGER, KLARK TEKNIK, MIDAS, BUGERA, AND TURBOSOUND ARE PART OF THE MUSIC GROUP (MUSIC-GROUP.COM). ALL TRADEMARKS ARE THE PROPERTY OF THEIR RESPECTIVE OWNERS. MUSIC GROUP ACCEPTS NO LIABILITY FOR ANY LOSS WHICH MAY BE SUFFERED BY ANY PERSON WHO RELIES EITHER WHOLLY OR IN PART UPON ANY DESCRIPTION, PHOTOGRAPH OR STATEMENT CONTAINED HEREIN. COLORS AND SPECIFICATIONS MAY VARY FROM ACTUAL PRODUCT. MUSIC GROUP PRODUCTS ARE SOLD THROUGH AUTHORIZED FULLFILLERS AND RESELLERS ONLY. FULLFILLERS AND RESELLERS ARE NOT AGENTS OF MUSIC GROUP AND HAVE ABSOLUTELY NO AUTHORITY TO BIND MUSIC GROUP BY ANY EXPRESS OR IMPLIED UNDERTAKING OR REPRESENTATION. THIS MANUAL IS COPYRIGHTED. NO PART OF THIS MANUAL MAY BE REPRODUCED OR TRANSMITTED IN ANY FORM OR BY ANY MEANS, ELECTRONIC OR MECHANICAL, INCLUDING PHOTOCOPYING AND RECORDING OF ANY KIND, FOR ANY PURPOSE, WITHOUT THE EXPRESS WRITTEN PERMISSION OF MUSIC GROUP IP LTD.

ALL RIGHTS RESERVED.

© 2013 MUSIC Group IP Ltd.

Trident Chambers, Wickhams Cay, P.O. Box 146, Road Town, Tortola, British Virgin Islands

## 1. Directivity

Your C-1U features a capsule with a cardioid pickup pattern and is ideal for recording individual instruments, vocals and speech. Cardioid pickup pattern means that the sound produced by sources located in front of the mic is strongly picked up. It is often used in recording situations, since this directivity pattern tones down the pickup of sounds located to the back of the microphone.

To place the microphone correctly, the BEHRINGER logo needs to face the sound source being recorded.

## 2. Mounting the Microphone

There is an adapter on your microphone that lets you mount it on mic stands with either metric (Europe) or imperial-gauge threads (North America). First dismantle the microphone from the stand mount adapter by detaching the fine-thread shoulder screw at the bottom end of the microphone. Fasten the adapter onto the microphone stand, place the microphone into it and tighten the screw again.

Basically, the microphone in the stand mount adapter should stand upright and face the sound source at a right angle. The angle of the microphone to the sound source influences the sound of the recording; therefore, experiment with different positions until you achieve the desired sound. To this end, you can rotate the mic in the stand mount adapter by loosening the screw somewhat and tightening it again.

If necessary, you can bend the microphone out of its vertical position by using the hinge on the microphone stand.

**◆ Please make sure to handle the microphone shaft with attention and care to avoid damaging the screw thread. In no situation should you ever apply excessive force.**

Of course, you can detach the C-1U from the stand mount adapter and attach it to a commercially available suspension mount.

## 3. Installing the Microphone

### 3.1 Technical requirements

Your C-1U microphone comes with a USB connector. The audio signal is sent from the microphone to the computer through this connection. At the same time the computer uses the USB connection to supply the microphone with the necessary power. A connection is made by using the included USB cable with type-B connector.

- ◆ **Use only the included cable to ensure an optimal signal quality and a reliable power supply.**

To operate the C-1U, your computer needs to meet the following system requirements:

PC	Mac
Intel or AMD CPU, 1 GHz or higher	G4/G5, 800 MHz or higher
minimum 512 MB RAM	minimum 512 MB RAM
USB 2.0 interface	USB 2.0 interface
Windows XP/Vista	Mac OS X 10.3.9 (Panther) or higher

### 3.2 Initial operation

Before you can use your C-1U, connect it to a free USB port on your computer.

For initial operation of your C-1U, complete the following steps:

- 1) Power up your computer.
- 2) Connect your C-1U to a free USB port on your computer.
- ◆ **Your operating system automatically installs the required drivers.**
- 3) Select the C-1U as input source in your preferred audio software application.

**Windows:**

- 4) Adjust the recording level as required, using the Windows **Volume Control** panel. (Shortcut: Loudspeaker icon found in the taskbar)

**Mac OS:**

5) Adjust the recording level as required, using **Audio Midi Setup** in Mac OS.

◆ **Your C-1U is now ready for use.**

Complete the following steps should you want to use your C-1U by default in other applications:

**Windows:**

- Select the C-1U in the pull-down menu of **Sound recording** by clicking on **Sounds and Audio Devices** in the **Control Panel** and then clicking the tab **Audio**

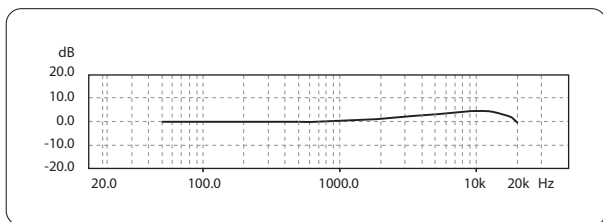
**Mac OS:**

- Select C-1U as **Default Input** found under the tab **Audio Devices** in **Audio Midi Setup** of Mac OS

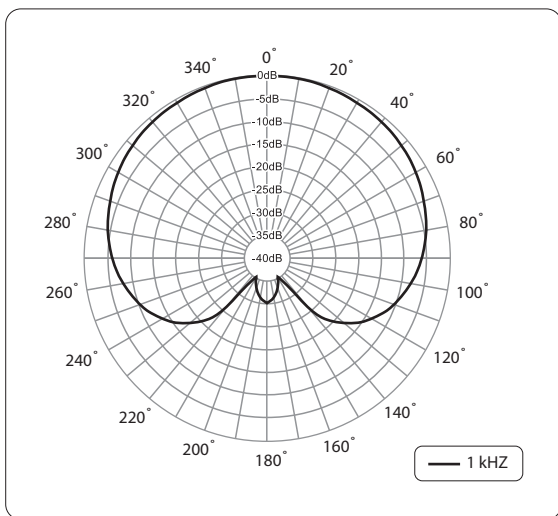
## 4. Using the Microphone

To get the sound you want, try changing the mic position relative to the sound source or even move the microphone around in the recording room of your studio. Adjusting the angle at which walls face the sound source can also be helpful. Only when the desired basic sound has been achieved, should you start to use equalizers and signal processors, if any at all (remember: less is often more!).

Due to the extremely linear frequency response and the high sonic resolution of your C-1U, there is no need for high-frequency “EQing” that can heavily influence the signal and unnecessarily increase the noise level. The C-1U provides that much-desired transparency which often gets lost during recording and mixing.



Frequency response



Polar pattern

## 5. Specifications

Transducer type	condenser, 16 mm (0.63")
Polar pattern	cardioid
Frequency response	40 Hz to 20 kHz
Max. SPL (1% THD @ 1 kHz)	136 dB
Connector	USB connector type B
Power supply	5 V, max. 50 mA (via USB)

### Physical/Weight

Dimensions	Ø shaft: 2.1", length: 6.7" Ø shaft: 54 mm, length: 169 mm
Weight (net)	approx. 1.17 lbs / 0.53 kg

BEHRINGER is constantly striving to maintain the highest professional standards. As a result of these efforts, modifications may be made from time to time to existing products without prior notice. Specifications and appearance may differ from those listed or illustrated.

## FEDERAL COMMUNICATIONS COMMISSION COMPLIANCE INFORMATION



Responsible Party Name: **MUSIC Group Services US Inc.**

Address: **18912 North Creek Parkway,  
Suite 200 Bothell, WA 98011,  
USA**

Phone/Fax No.: **Phone: +1 425 672 0816  
Fax: +1 425 673 7647**

### C-1U

complies with the FCC rules as mentioned in the following paragraph:

This equipment has been tested and found to comply with the limits for a Class B digital device, pursuant to part 15 of the FCC Rules. These limits are designed to provide reasonable protection against harmful interference in a residential installation. This equipment generates, uses and can radiate radio frequency energy and, if not installed and used in accordance with the instructions, may cause harmful interference to radio communications. However, there is no guarantee that interference will not occur in a particular installation. If this equipment does cause harmful interference to radio or television reception, which can be determined by turning the equipment off and on, the user is encouraged to try to correct the interference by one or more of the following measures:

- Reorient or relocate the receiving antenna.
- Increase the separation between the equipment and receiver.
- Connect the equipment into an outlet on a circuit different from that to which the receiver is connected.
- Consult the dealer or an experienced radio/TV technician for help.

This device complies with Part 15 of the FCC rules. Operation is subject to the following two conditions:

- (1) this device may not cause harmful interference, and
- (2) this device must accept any interference received, including interference that may cause undesired operation.

### Important information:

Changes or modifications to the equipment not expressly approved by MUSIC Group can void the user's authority to use the equipment.











We Hear You